

Ideal for 1½" copper and NPT iron pipework

MagnaClean®

Dual XP

Hydronic heating filter for large residential and light commercial systems
Removes black iron oxide sludge

Iron oxide sludge is one of the main causes of boiler failures. *MagnaClean* filters extend the life of hydronic heating systems when used as part of **ADEY's Best Practice™** system process.



ADEY is the industry leader in hydronic heating system protection.

Visit adeyusa.com for information on a complete system to safeguard your investment, including **ADEY's Best Practice™** treatment products.

Our unique cleaning products are designed to clean and protect your hydronic heating system, ensuring it achieves maximum performance season after season.



Toll free: 844 378 0442 | Office: 412 406 8292 | Email: info@adeyusa.com
adeyusa.com

M08618 LFZ-01-02599



MagnaClean® DualXP

Dual-strength protection against black iron oxide and other debris

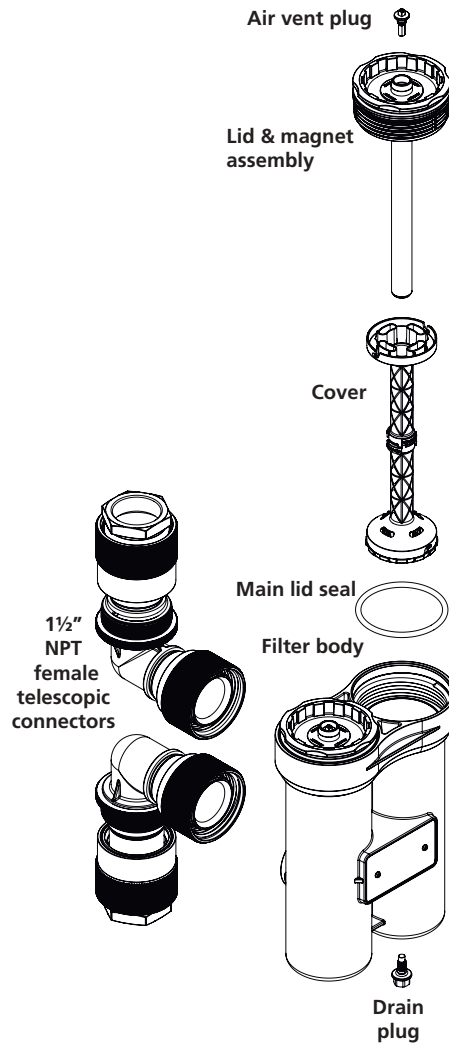
Today's high-performance circulators and boilers are bringing new levels of efficiency and cost-savings to homeowners. But they are uniquely vulnerable to a danger lurking in nearly every hydronic heating system – Magnetite, commonly known as black iron oxide. An unavoidable result of oxidation inside untreated systems, black iron oxide forms on the surface of pipes and components where it deposits into the system water as microscopic particles which combine to form a black sludge. Even in small quantities, these particles can potentially cause expensive damage. As sludge accumulates, system efficiency is dramatically reduced, and operating costs increase.

MagnaClean® DualXP features a unique, patented magnetic and non-magnetic filtration system that starts to work from the moment it is installed. Developed by the company that pioneered magnetic filtration, this advanced technology bridges the gap between ADEY's extensive residential filter range and heavy-duty commercial filters.

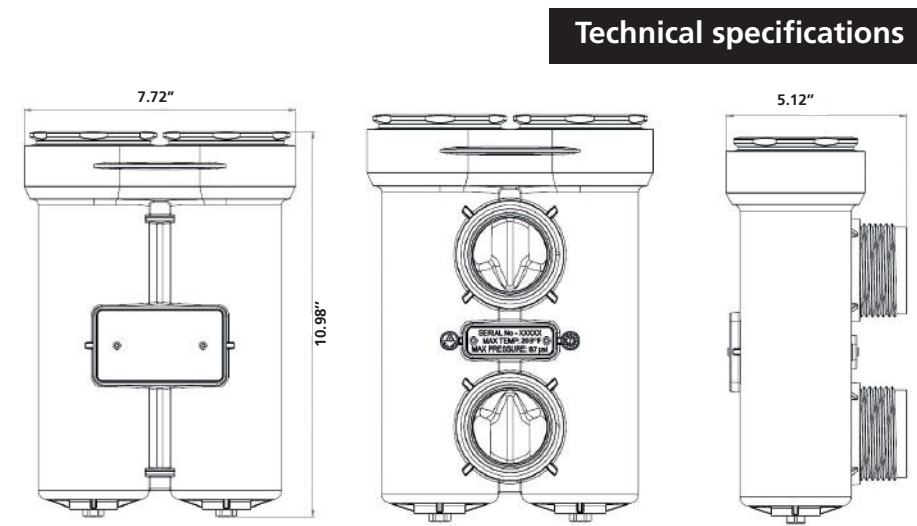
MagnaClean DualXP has two powerful magnetic capture zones to extend the operational life of the hydronic heating system. The *MagnaClean DualXP* removes virtually all of the suspended iron oxide sludge buildup and offers a host of other unique benefits...

MagnaClean DualXP Benefits

- Ideal for small to medium-size commercial properties (churches, offices, small retail locations)
- Dual-magnetic chambers – double the performance
- Four non-magnetic capture zones with improved capture
- Unique, 1½" NPT telescopic connectors
- Integral flow-diverters ensure 360° distribution for uniform flow around magnets, maximizing iron oxide sludge capture
- Powerful permanent magnet
- Captures non-magnetic debris
- Rotating filter connections allow customizable installation options
- Two low-profile drain valves and built-in air vents for easier maintenance
- Bi-directional flow – either port can be designated as entry port
- Easy dosing of ADEY treatment formulas via canister
- Full-flow valves for minimal pressure drop



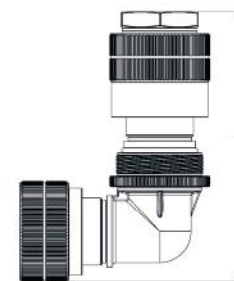
Maximum working pressure: 87 psi
Maximum working temperature: 203°F
Flow rate: Recommended rate for optimum capture up to 26 gallons per minute
Volume: 0.64 gallons (when telescopic connectors are retracted)
Magnet diameter / length: 0.75" / 8.86"



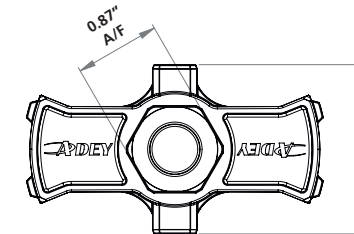
Technical specifications

Note The stand-alone filter can be fitted to 1-5/8" pipework providing the end of the pipe is threaded with a 1½" NPT tapered thread. For all other pipework types and sizes, adapters will need to be used.

Connectors



New three-in-one multi-tool



A three-in-one tool for ease of use when servicing *MagnaClean DualXP*. Designed for removal of drain plug, air vent & lid assembly. The multi-tool fits into the lid of the *MagnaClean DualXP* so it is always to hand when required.

Customizable installation

Unusual pipe angles? No problem. The in-line design and 360° rotational valves of *MagnaClean DualXP* allow installers to customize the job to fit almost any space – no matter how unusual – for maximum flexibility and minimum hassle.



No commercial installation is complete without *MagnaClean DualXP*. Iron oxide sludge presents real problems... problems that can be avoided completely by the easy and cost-efficient installation of *MagnaClean DualXP*.

Kick-start the efficiency of *MagnaClean DualXP* by using *MagnaCleanse* to flush the system before installation. Visit adeyusa.com for more information on this and other **ADEY Best Practice™** solutions.