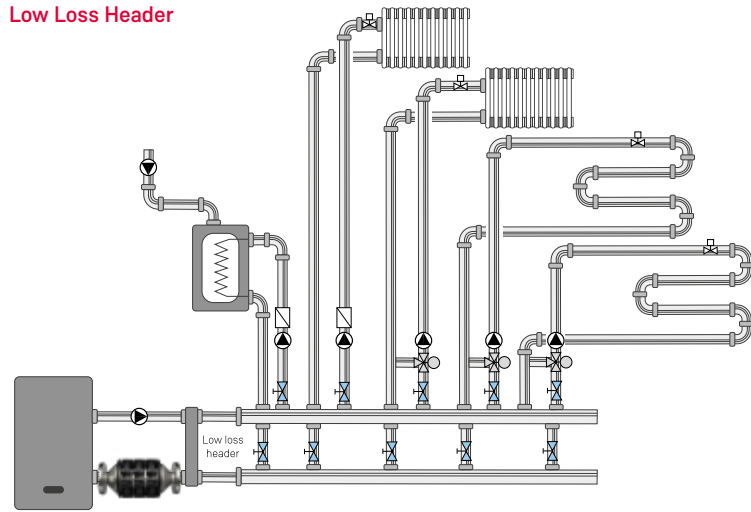


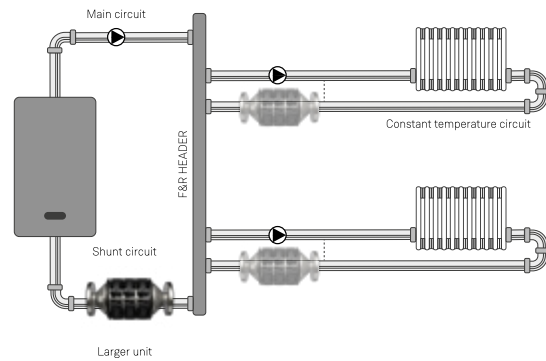
HYDRONIC HEATING SYSTEM

Low Loss Header



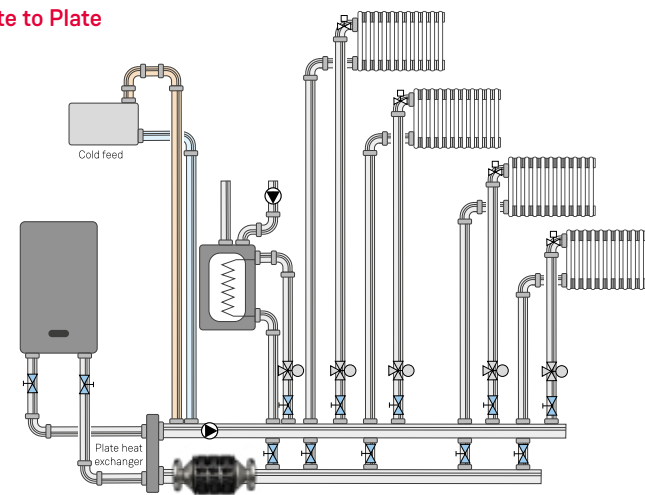
Protecting the most valuable component is key, therefore we advise to install the *MagnaClean* filter on the main return before the boiler, or on the main return to the pump.

Cascade (Zoned)



Note. For servicing, isolation valves need to be fitted either side of the filter. These valves are not supplied with the filter.

Plate to Plate



PERFORMANCE

	2" Pipe	3" Pipe	4" Pipe
Max. Flow rate (GPM)	140	270	400
Max. working pressure (PSI)	145	145	145
Max. working temperature	212°F / 100°C	212°F / 100°C	212°F / 100°C
Weight (lbs)	24.2	36.2	46.1
Product code	FL1-03-03784	FL1-03-03785	FL1-03-03786

Available in:
2", 3" and 4"

MagnaClean™

DRX

Compact and cost-effective filtration performance
for light commercial closed loop heating and cooling applications with limited space

✗ System leaks ✗ Worn pump seals ✗ Blocked heat exchangers ✗ Boiler failures

BUDGE THAT SLUDGE!

FEATURES

- ✓ 304L Stainless steel (SA351CF3) construction
- ✓ PN16 (B16.5 Class 150) flanges
- ✓ EDPM seals for robust sealing at high temperatures
- ✓ Patented design ensures low pressure loss
- ✓ Construction conforms to ASME Section VIII Division 1 and is CRN approved
- ✓ Servicing clearance of 6" for applications with limited space
- ✓ Suitable for in-line and side stream installations
- ✓ Vertical and horizontal installation options

BENEFITS

- ✓ Protection of heat pumps
- ✓ Protection of boilers
- ✓ Extended component and system life
- ✓ Reduced maintenance costs
- ✓ Improved heat transfer and efficiency



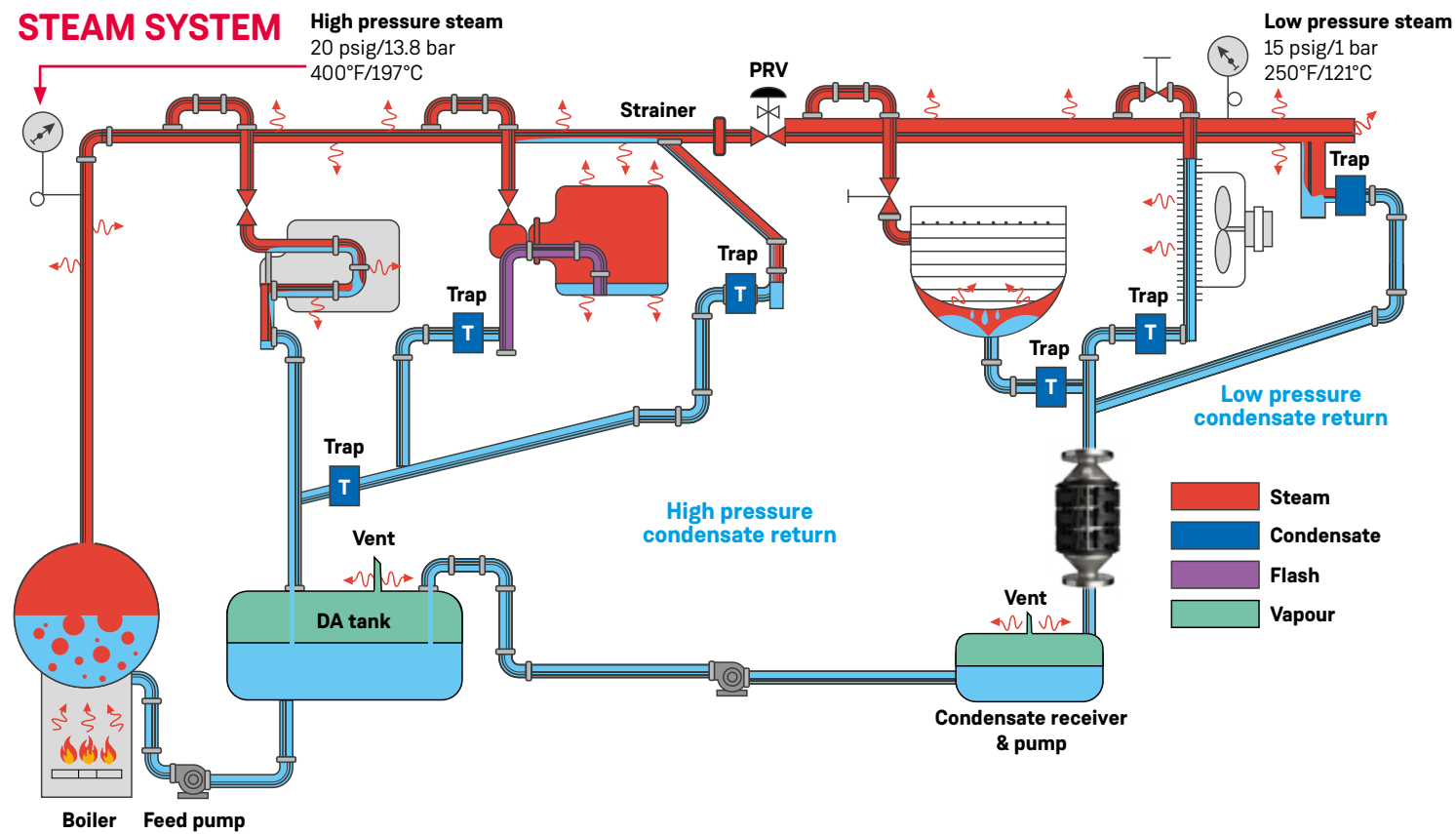
Why choose MagnaClean DRX™?

Unlike any other dirt filter, ADEY's MagnaClean DRX has been scientifically designed to maximize first pass capture by having dozens of premium neodymium magnets surrounding the filter. To be precise, 48 on the 2", 64 on the 3", and 80 on the 4".

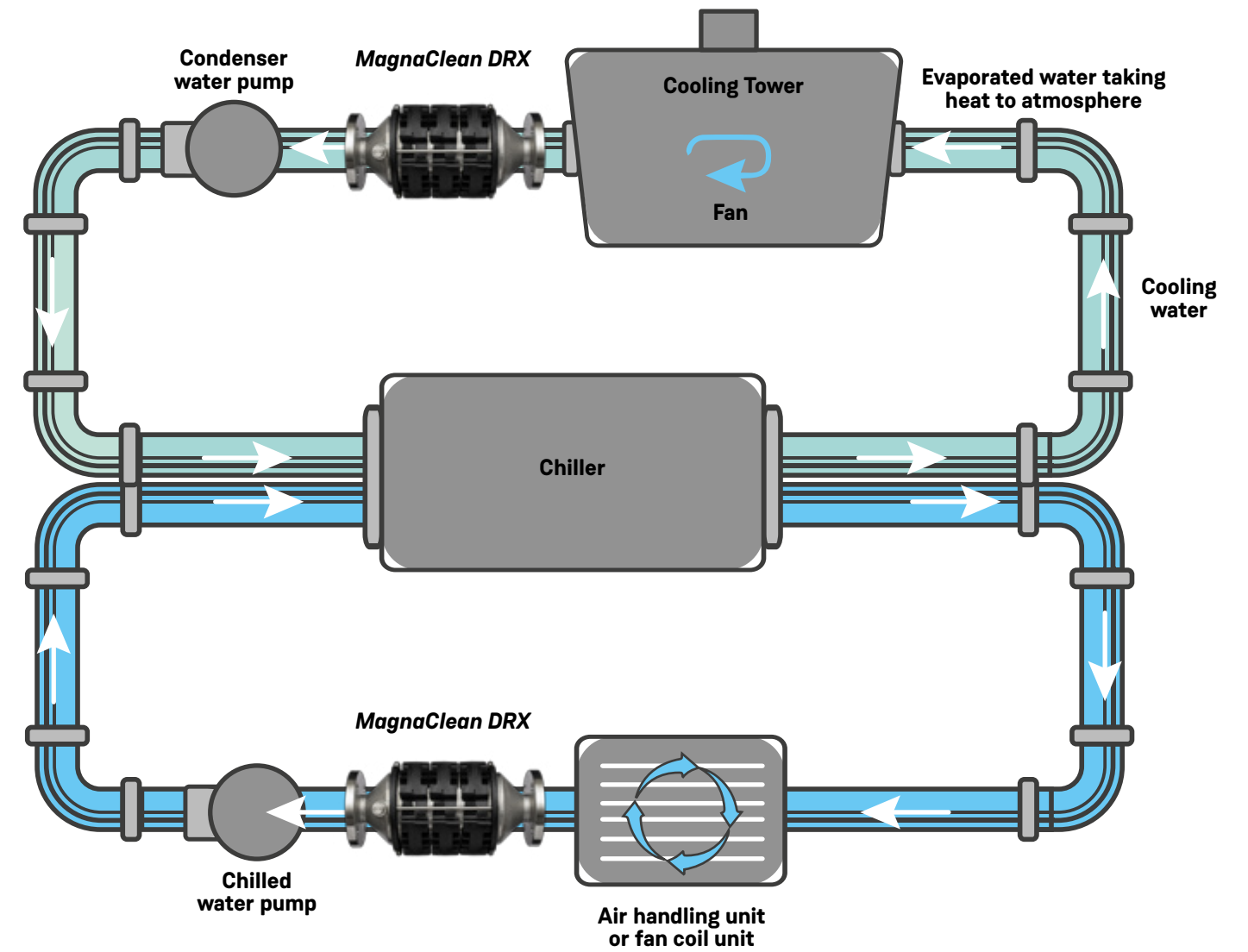
APPLICATION USE

- ✓ Steam systems
- ✓ Air & water cooled chiller systems
- ✓ Hydronic heating systems

Where to install your MagnaClean DRX



WATER COOLED CHILLER SYSTEM



Clean MagnaCleanse **MagnaClean** Protect Test Maintain